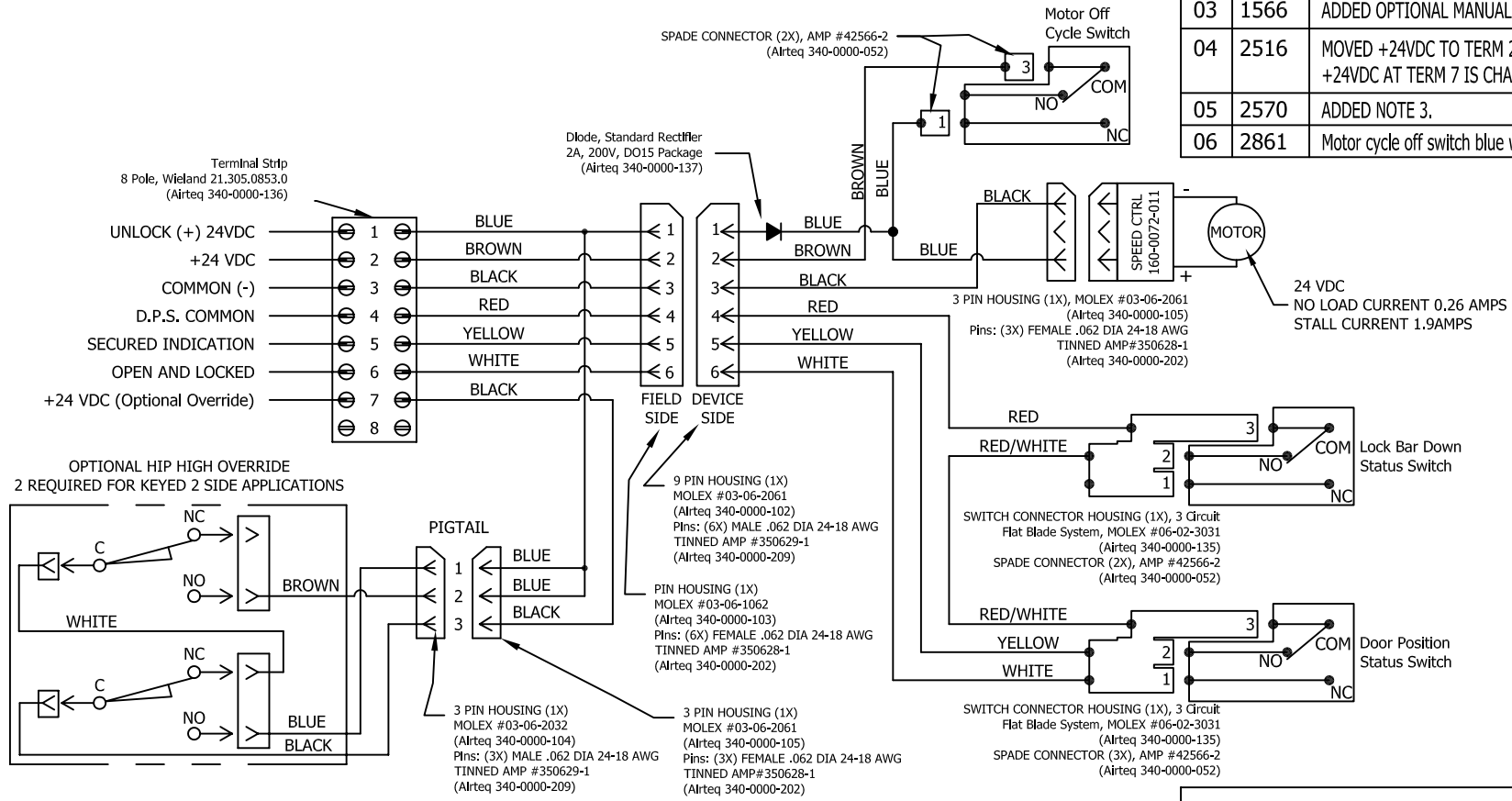


REVISIONS				
REV	ECN	DESCRIPTION	DRN	CHK
01	1470	REMOVE UNSECURE SIGNAL, MOVE LOCK OPEN SIGNAL TO TERMINAL 6 IN TERMINAL BLOCK	DCB 9-15-94	
02	1565	ADD MOLEX CON. AND MOTOR SPEED CONTROL	DKM 10-12-94	
03	1566	ADDED OPTIONAL MANUAL OVERRIDE	DCB 3-9-95	
04	2516	MOVED +24VDC TO TERM 2 ON TERM STRIP +24VDC AT TERM 7 IS CHANGED TO "OPTIONAL"	DEE 4/23/02	
05	2570	ADDED NOTE 3.	DEE 2/6/03	
06	2861	Motor cycle off switch blue wire now attaches to NC terminal	RLP 12/18/06	



- NOTES:**
1. SCHEMATIC SHOWN WITH DOOR IN THE CLOSED AND LOCKED POSITION.
  2. POWER REQUIREMENTS: 24VDC ± 4V.
  3. ALWAYS INSTALL IN ACCORDANCE WITH LOCAL REGULATIONS AND THE NATIONAL ELECTRIC CODE (NEC).



TITLE		DRAWN BY RLP	
WIRING DIAGRAM, 7210 & 7215 SERIES SLIDER		APPROVED	
		DATE 12-18-06	
		SCALE NONE	
© 1989 AIRTEQ SYSTEMS.	SIZE B	DWG. NO. EL-0032-B	REV 06