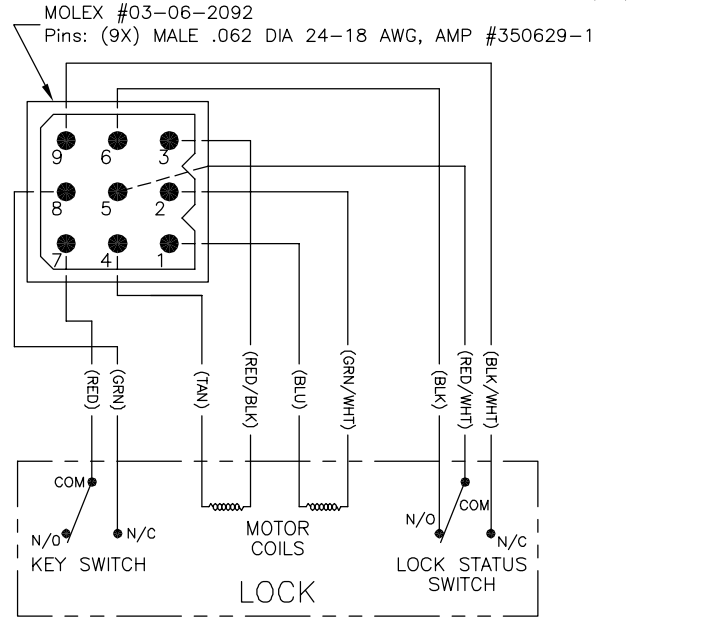


MOLEX 12 PIN CONNECTOR
MOLEX RECEPTACLE 03-06-1122
MOLEX PLUG 03-06-2122

FIELD SIDE WIRING

REVISIONS				
REV	ECN	DESCRIPTION	DRAWN	CHK
01	2572	SEE ECN	DEE	2/7/03
02	2738	ADD NOTE 4. REVISE NOTE 3. SEE ECN	MEL	6/14/05



COMPANY CONFIDENTIAL: THIS DRAWING IS THE PROPERTY OF AIRTEQ SYSTEMS AND MUST BE ACCOUNTED FOR. INFORMATION HEREON IS CONFIDENTIAL AND MUST NOT BE USED, REPRODUCED, REVEALED TO UNAUTHORIZED PERSONS OR SENT OUTSIDE THE COMPANY WITHOUT PROPER AUTHORIZATION.



TITLE WIRING DIAGRAM, 9724 MOTOR LOCK		DRAWN BY DEE
		APPROVED
		DATE 6/18/01
		SCALE NONE

© 1989 AIRTEQ SYSTEMS.	SIZE B	DWG. NO. EL-0084	REV 02
------------------------	--------	------------------	--------

- NOTES:**
1. MOTOR LOAD: 24VDC ±2V, 36W.
 2. SWITCH CONTACTS: 5A.
 3. LOCK, UNLOCK, & FULL CYCLE REQUEST SIGNALS MUST BE MAINTAINED FOR 0.5 SECONDS. SIGNALS MUST BE REMOVED FROM ONE REQUEST BEFORE ANOTHER WILL BE SAMPLED.
 4. FULL CYCLE SIGNAL WILL RUN UNLOCK CYCLE AND MAINTAIN UNLOCK STATUS UNTIL SIGNAL IS REMOVED FROM FULL CYCLE REQUEST.
 5. SCHEMATIC SHOWN WITH DOOR IN THE CLOSED AND LOCKED (SECURE) POSITION.
 6. FOR SERIES LOCK STATUS AND DOOR POSITION SWITCH OPERATION, CONNECT BLK AND BLK/WHT WIRES IN FIELD SIDE WIRING. CHECK CONTINUITY BETWEEN WHT AND BLUE.
 7. PLUGS AND RECEPTACLES INSIDE LOCK NOT SHOWN.
 8. ALWAYS INSTALL IN ACCORDANCE WITH LOCAL REGULATIONS AND THE NATIONAL ELECTRIC CODE (NEC). POWER DEVICE FROM A CLASS 2 POWER SOURCE WHEN PNEUMATIC TUBING OCCUPIES THE SAME SPACE AS CONTROL WIRING.

MOLEX #03-06-1092
Pins: (9X) FEM. .062 DIA 24-18 AWG
TINNED AMP #350628-1

MOLEX #03-06-2032
Pins: (3X) MALE .062 DIA 24-18 AWG, AMP #350629-1

MOLEX #03-06-1032
Pins: (3X) FEMALE .062 DIA 24-18 AWG, AMP #350628-1
FIELD SIDE WIRING

D.P.S.