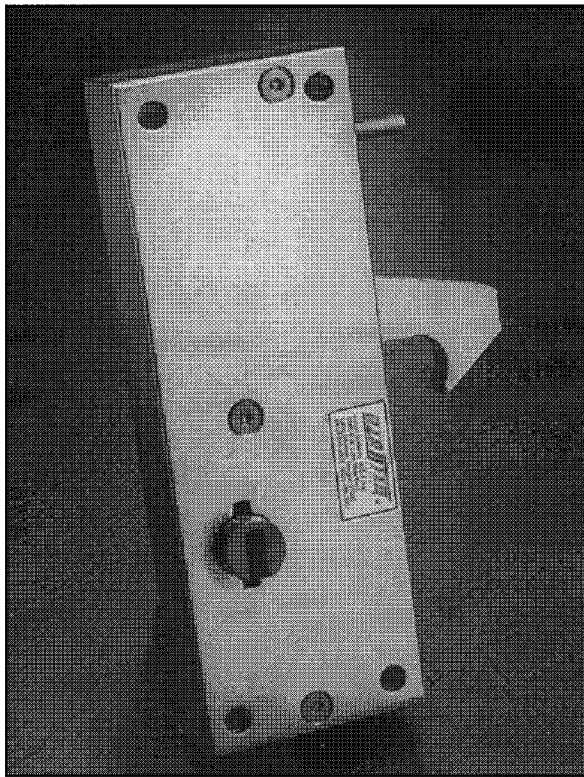


# ▶▶▶ DEADLATCH 5030/5036



## ▶▶▶ A HIGH SECURITY PARACENTRIC KEYED LEVER TUMBLER DEADLATCH.

- The Airteq 5030 is a high security deadlatch for use on cell, corridor, dayroom and other sliding doors where slam-locking and the security of an automatic deadlatch are required.
- The 5030 is machined to close tolerances providing smooth reliable operation.
- The Airteq 5036 has the added security of 6 lever tumblers. The additional lever tumbler provides greater pick resistance and increased difficulty in unauthorized duplication of keys.

### STANDARD FEATURES

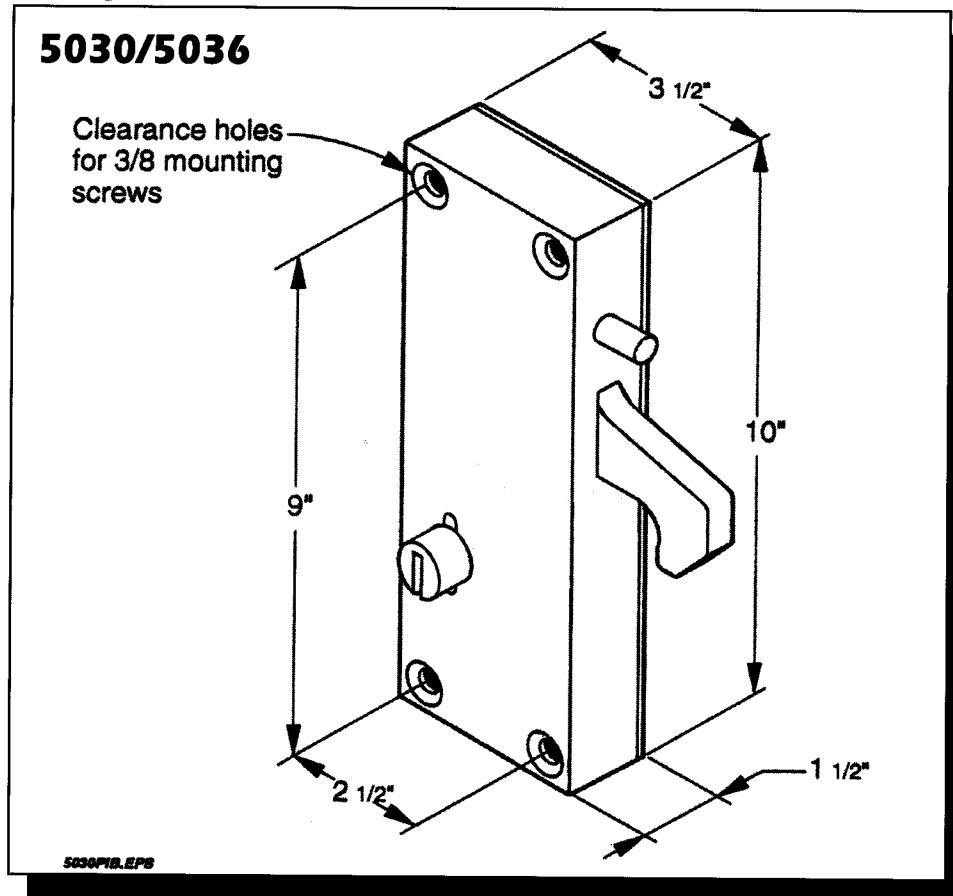
- Alloy steel deadbolt hardened to Rc 60.
- Deadbolt has 5/8" lift.
- Single piece, bronze alloy paracentric key cylinder.
- Five tempered brass lever tumblers.
- Keyed one side (K1).
- High tensile strength alloy steel case.
- All steel parts plated for corrosion resistance.

### OPTIONAL FEATURES

- Keyed two sides (K2).
- Mortise keeper.
- Mortise keeper with latchbolt position switch.
- Gate mount.



# ▶▶▶ TECHNICAL SPECIFICATIONS



▶▶▶ **NOTE:** This illustration is for information only. Do not use for construction.

- ▶▶▶ **Case:** High strength alloy steel, bright zinc plated.
- ▶▶▶ **Cover:** Cold rolled steel, bright zinc plated.
- ▶▶▶ **Deadbolt (Hook Style):** 8620 HR steel, bright zinc plated, hardened to Rc 60.
- ▶▶▶ **Bolt Lift:** 5/8"
- ▶▶▶ **Bolt Size:** 1/2" thick.
- ▶▶▶ **Dimensions:** 1 1/2" X 3 1/2" X 10"
- ▶▶▶ **Deadbolt Position Switch:** SPDT 15 amp @ 125 VAC, 500 ma @ 125 VDC. UL recognized.
- ▶▶▶ **ASTM F 1577 Lock Function P311.**

## WARRANTY

AirTeq warrants its products against defects in material or workmanship for one year from the time of delivery. AirTeq's sole obligation under the warranty is to repair, or at its option, to replace the product. The buyer shall have no other remedy. (All special, incidental and coincidental damages are excluded). Written notice of breach of warranty must be given to AirTeq within the warranty period. The warranty does not cover damages resulting from improper installation or maintenance, accident or misuse. NO OTHER WARRANTIES AS TO MERCHANTABILITY OR OTHERWISE ARE MADE.

A continuing product research program is ongoing. AirTeq reserves the right to incorporate product and specification changes at any time without notice.



AirTeq Systems  
1965 Mitchell Young Road  
Montgomery, AL 36108-4400  
(334) 281-8858, Fax (334) 281-8863  
sales@airteqsystems.com