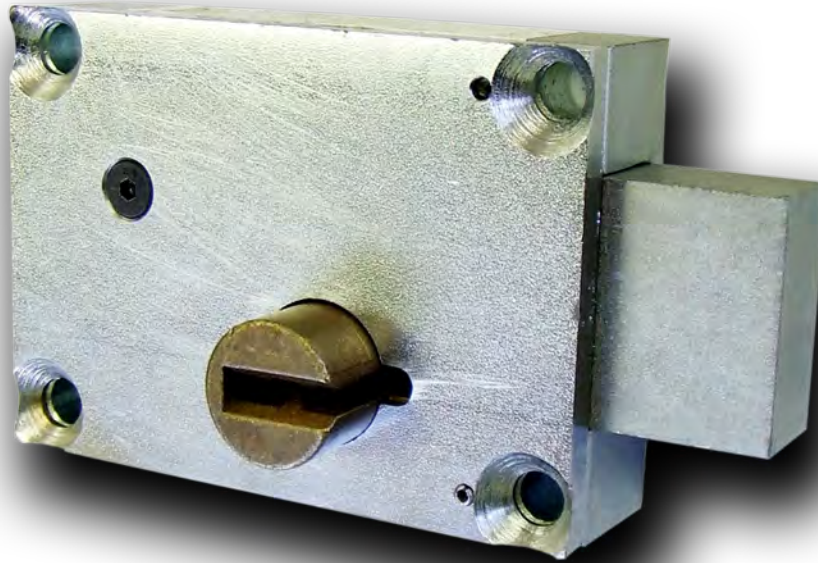


DEADBOLT 5010/5016



A PARACENTRIC KEYED LEVER TUMBLER DEADBOLT

- The Airteq 5010 is a medium security deadbolt for use on access panels, control cabinets, plumbing chases and other small swinging doors where the security of a deadbolt is required.
- The 5010 deadbolt is machined to close tolerance providing smooth reliable operation.
- The Airteq 5016 has the added security of 6 lever tumblers. The additional lever tumbler provides greater pick resistance and increased difficulty in unauthorized duplication of keys.

STANDARD FEATURES

- Hot rolled steel deadbolt
- Deadbolt has 5/8" throw
- Single piece, bronze alloy paracentric key cylinder
- 5 tempered brass lever tumblers
- Keyed tempered brass lever tumblers
- Keyed one side(K1)
- High tensile strength alloy steel case
- All steel parts plated for corrosion resistance
- Anti-pick feature

OPTIONAL FEATURES

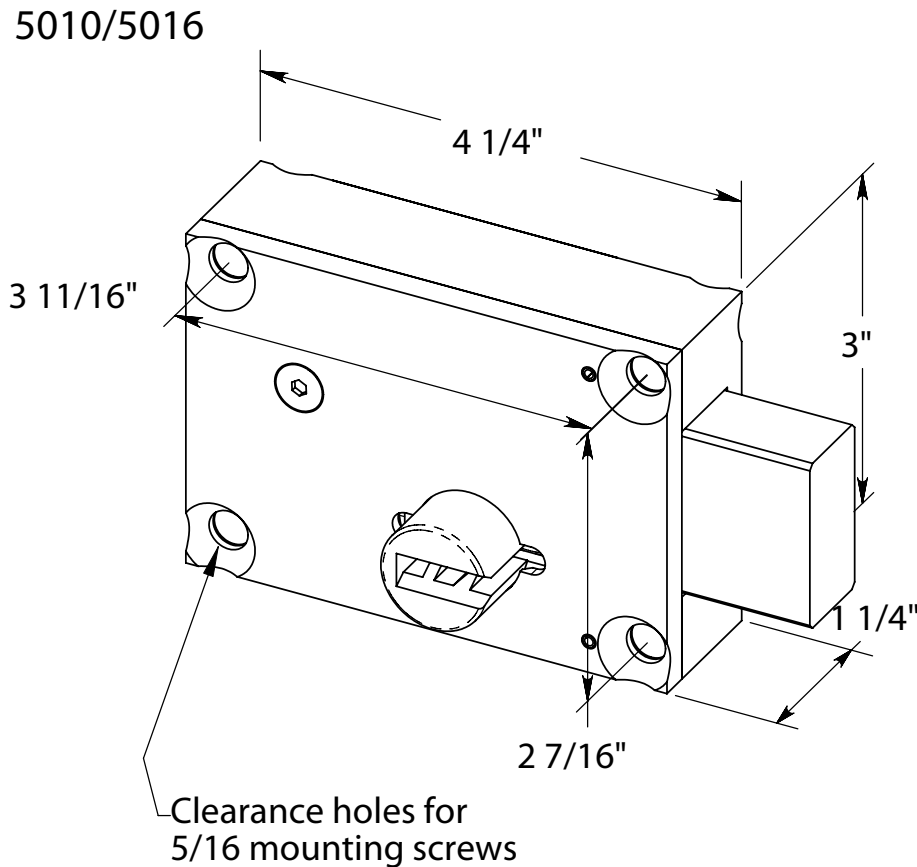
- Keyed two sides (K2)
- Mortise keeper
- Mortise keeper with dust box
- Mortise keeper with deadbolt position switch
- Surface mounted keeper



3224 Mobile Highway, Montgomery, AL 36108-4454

Phone: 800-466-3007

TECHNICAL SPECIFICATIONS



NOTE: This illustration is for information use only. Do not use for construction.

- Case: High strength alloy steel, bright zinc plated
- Cover: Cold rolled steel, bright zinc plated
- Bolt: Hot rolled steel, bright zinc plated
- Bolt Throw: 5/8"
- Bolt Size: 1 1/2" x 3/4"
- Dimensions: 1 1/4" x 4 1/2" x 3"
- Deadbolt Position Switch: SPDT 15 amp @ 125 VAC, 500 ma @ 125 VDC. UL recognized.
- ASTM F 1577 Lock Function P 103

Warranty

Airteq warrants its products against defects in material or workmanship for one year from the time of delivery. Airteq's sole obligation under the warranty is to repair, or at its option, to replace the product. The buyer shall have no other remedy. (All special, incidental and coincidental damages are excluded.) Written notice of breach of warranty must be given to Airteq within the warranty period. The warranty does not cover damages resulting from improper installation or maintenance, accident or misuse. NO OTHER WARRANTIES AS TO MERCHANTABILITY OR OTHERWISE ARE MADE. A continuing product research program is ongoing. Airteq reserves the right to incorporate products and specification changes at any time without notice.