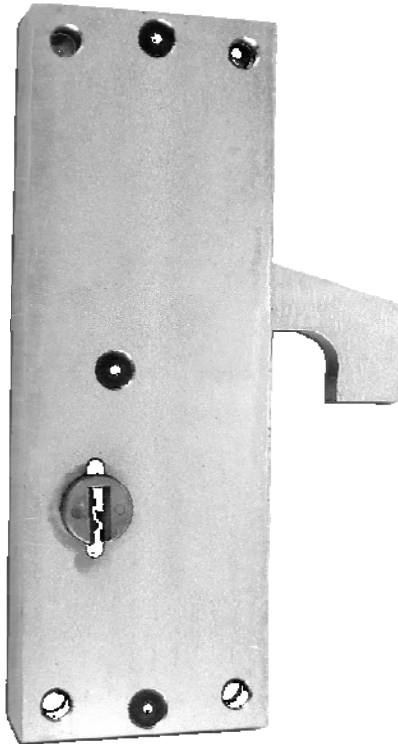


# DEADBOLT 5030D/5036D



## ▶▶▶ A HIGH SECURITY PARACENTRIC KEYED LEVER TUMBLER DEADLOCK

- The Airteq 5030D is a high security deadbolt for use on cell, corridor, dayroom and other sliding doors. Recommended for doors which, at times, may be left open and unattended.
- The 5030D is machined to close tolerances providing smooth reliable operation.
- The Airteq 5036D has the added security of 6 lever tumblers. The additional lever tumbler provides greater pick resistance and increased difficulty in unauthorized duplication of keys.

### STANDARD FEATURES

- Alloy steel deadbolt
- Deadbolt has 5/8" lift
- Single piece bronze alloy
- 5 tempered brass lever tumblers
- Keyed one side (K1)
- High tensile strength alloy steel case
- All steel parts plated for corrosion resistance

### OPTIONAL FEATURES

- Keyed two sides (K2)
- Mortise keeper
- Mortise keeper with deadbolt position switch
- Gate mount

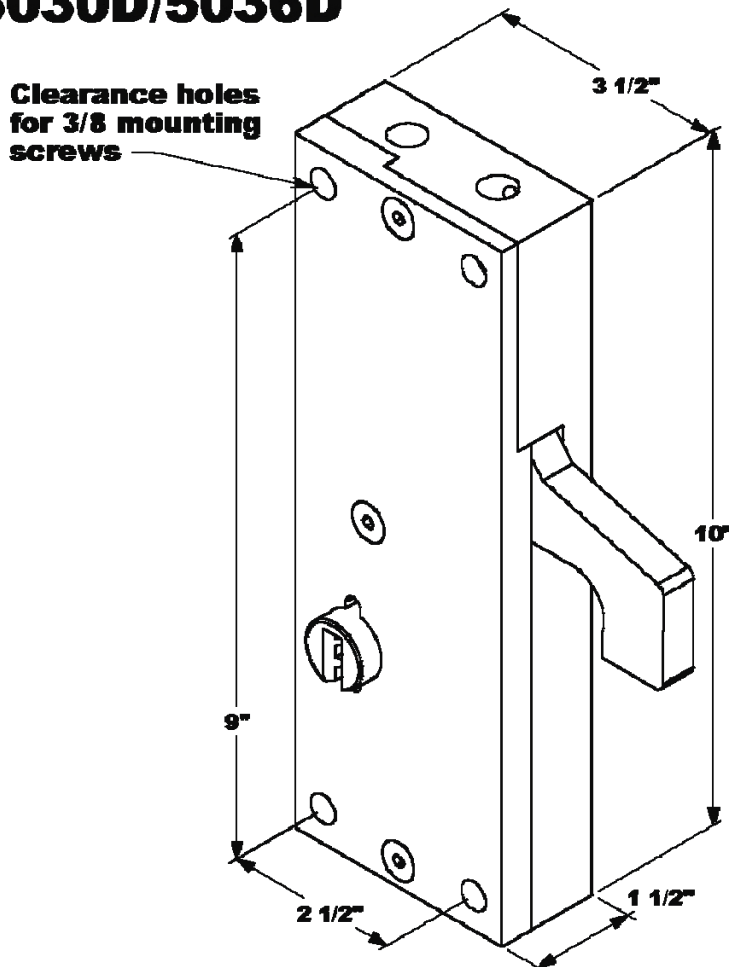


3224 Mobile Highway, Montgomery, AL 36108

Phone: 800-633-1968 Fax: (334) 288-5485

# TECHNICAL SPECIFICATIONS

## 5030D/5036D



NOTE: This illustration is for information use only. Do not use for construction.

- Case: High strength alloy steel, bright zinc plated
- Cover: Cold rolled steel, bright zinc plated
- Deadbolt (Hook Style): 8620 HR steel bright zinc plated, hardened to Rc 60
- Bolt Lift: 5/8"
- Bolt Size: 1/2" thick
- Dimensions: 1 1/2" x 3 1/2" x 10"
- Deadbolt Position Switch: SPDT 15 amp @ 125 VAC, 500 ma @ 125 VDC. UL recognized.
- ASTM F 1577 Lock Function P 310

### Warranty

Airteq warrants its products against defects in material or workmanship for one year from the time of delivery. Airteq's sole obligation under the warranty is to repair, or at its option, to replace the product. The buyer shall have no other remedy. (All special, incidental and coincidental damages are excluded.) Written notice of breach of warranty must be given to Airteq within the warranty period. The warranty does not cover damages resulting from improper installation or maintenance, accident or misuse. NO OTHER WARRANTIES AS TO MERCHANTABILITY OR OTHERWISE ARE MADE. A continuing product research program is ongoing. Airteq reserves the right to incorporate products and specification changes at any time without notice.