

LATCH 5017



A PARACENTRIC KEYED LEVER TUMBLER LATCH

- The Airteq 5017 is a medium security latch for use on food pass, observation, gun locker, wicket and other small swinging doors where slam-locking is preferred and deadlocking is not required.
- The 5017 latch is machined to close tolerances providing smooth reliable operation.

STANDARD FEATURES

- Stainless steel latchbolt
- Latchbolt has 7/16" throw
- Slam-locks automatically when door is closed
- Single piece bronze alloy paracentric key cylinder
- 5 tempered brass lever tumblers
- Keyed one side (K1)
- High tensile strength alloy steel case
- All steel parts plated for corrosion resistance

OPTIONAL FEATURES

- Food pass keeper
- Food pass hinge
- H.M. mounting
- Extended Latchbolt
- Keyed 2 Sides, K2S

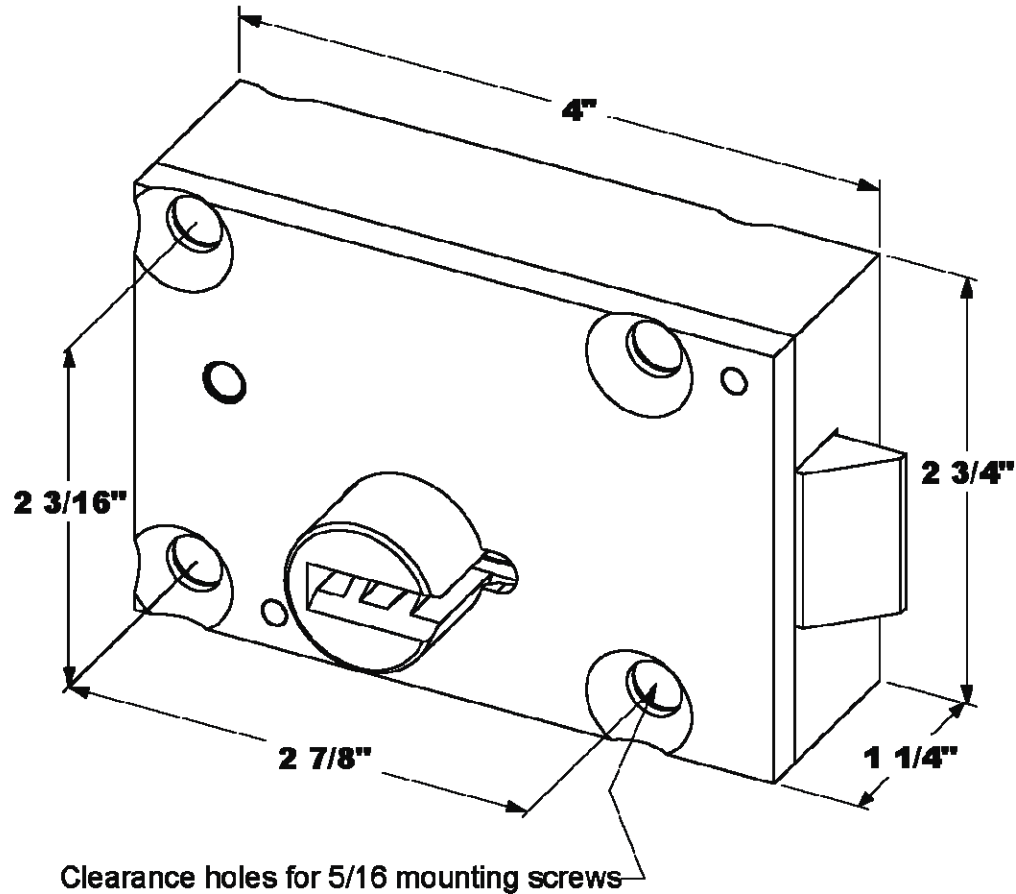


3224 Mobile Highway, Montgomery, AL 36108

Phone: 800-633-1968 Fax: (334) 288-5485

TECHNICAL SPECIFICATIONS

5017



NOTE: This illustration is for information use only. Do not use for construction.

- Case: High strength alloy steel, bright zinc plated
- Cover: Cold rolled steel, bright zinc plated
- Latchbolt: Stainless steel
- Bolt Throw: 7/16"
- Bolt Size: 1" x 7/16"
- Dimensions: 1 1/4" x 4" x 2 3/4"
- ASTM F 1577 Lock Function P104

Warranty

Airteq warrants its products against defects in material or workmanship for one year from the time of delivery. Airteq's sole obligation under the warranty is to repair, or at its option, to replace the product. The buyer shall have no other remedy. (All special, incidental and coincidental damages are excluded.) Written notice of breach of warranty must be given to Airteq within the warranty period. The warranty does not cover damages resulting from improper installation or maintenance, accident or misuse. NO OTHER WARRANTIES AS TO MERCHANTABILITY OR OTHERWISE ARE MADE. A continuing product research program is ongoing. Airteq reserves the right to incorporate products and specification changes at any time without notice.